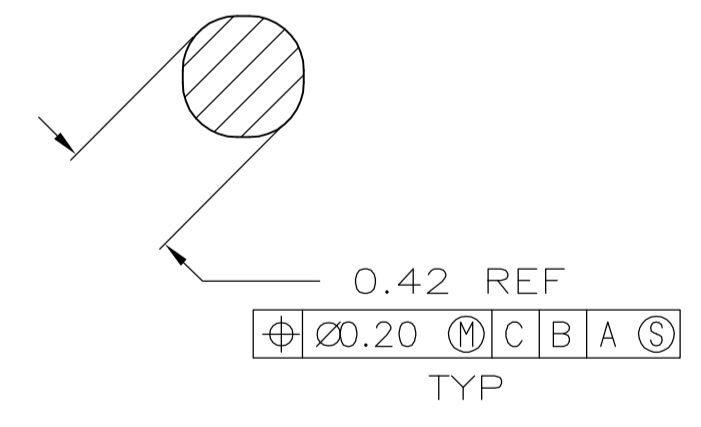
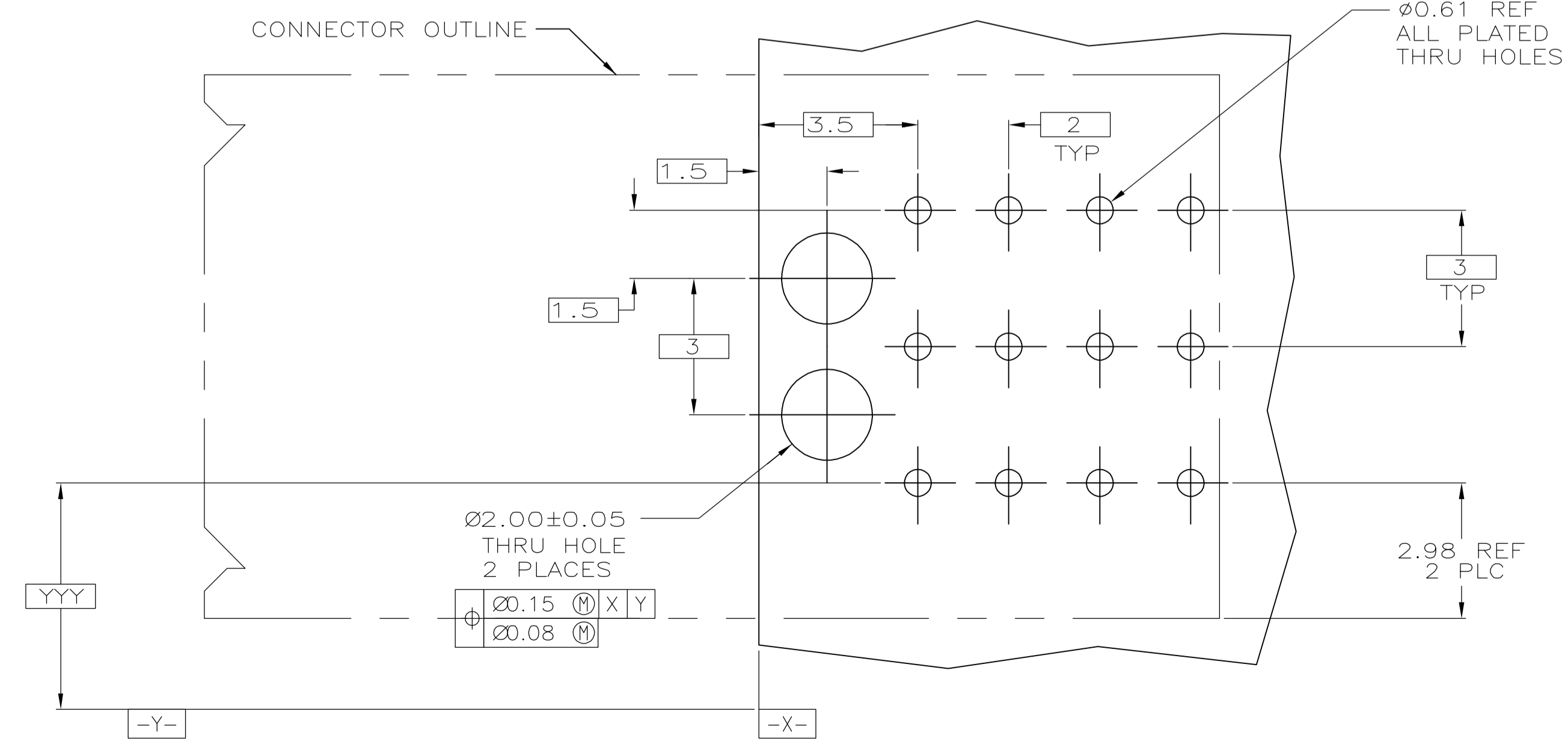
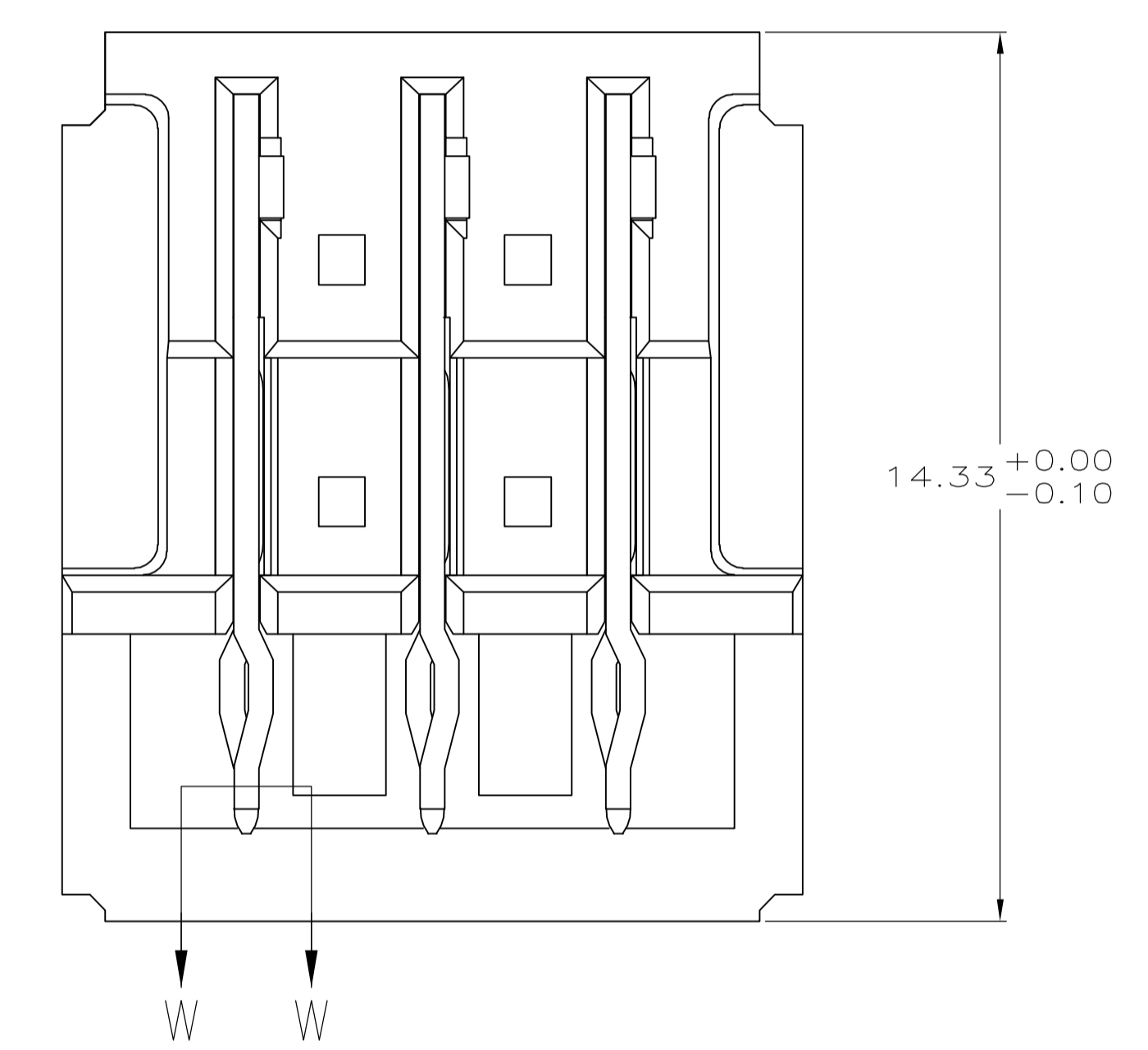
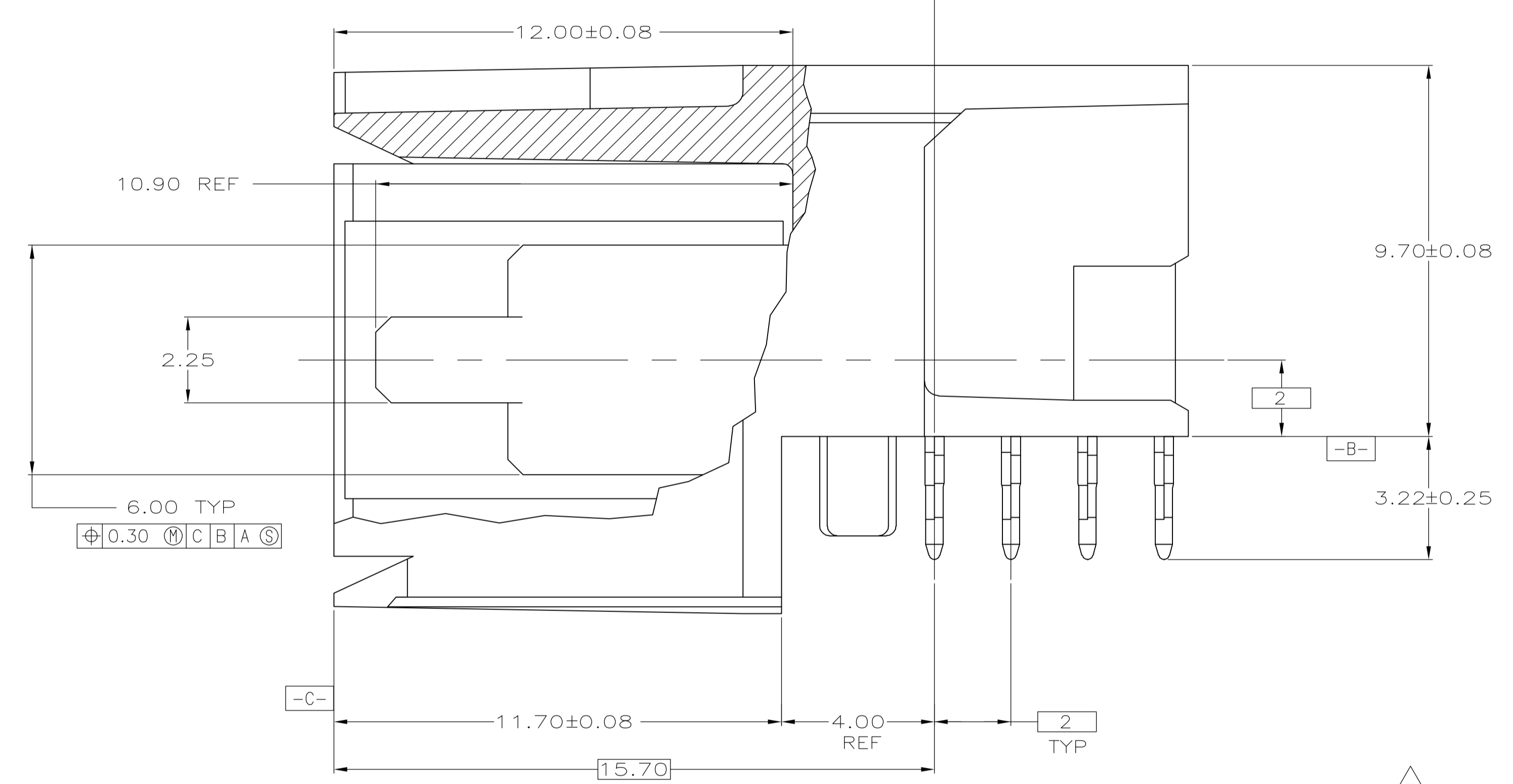
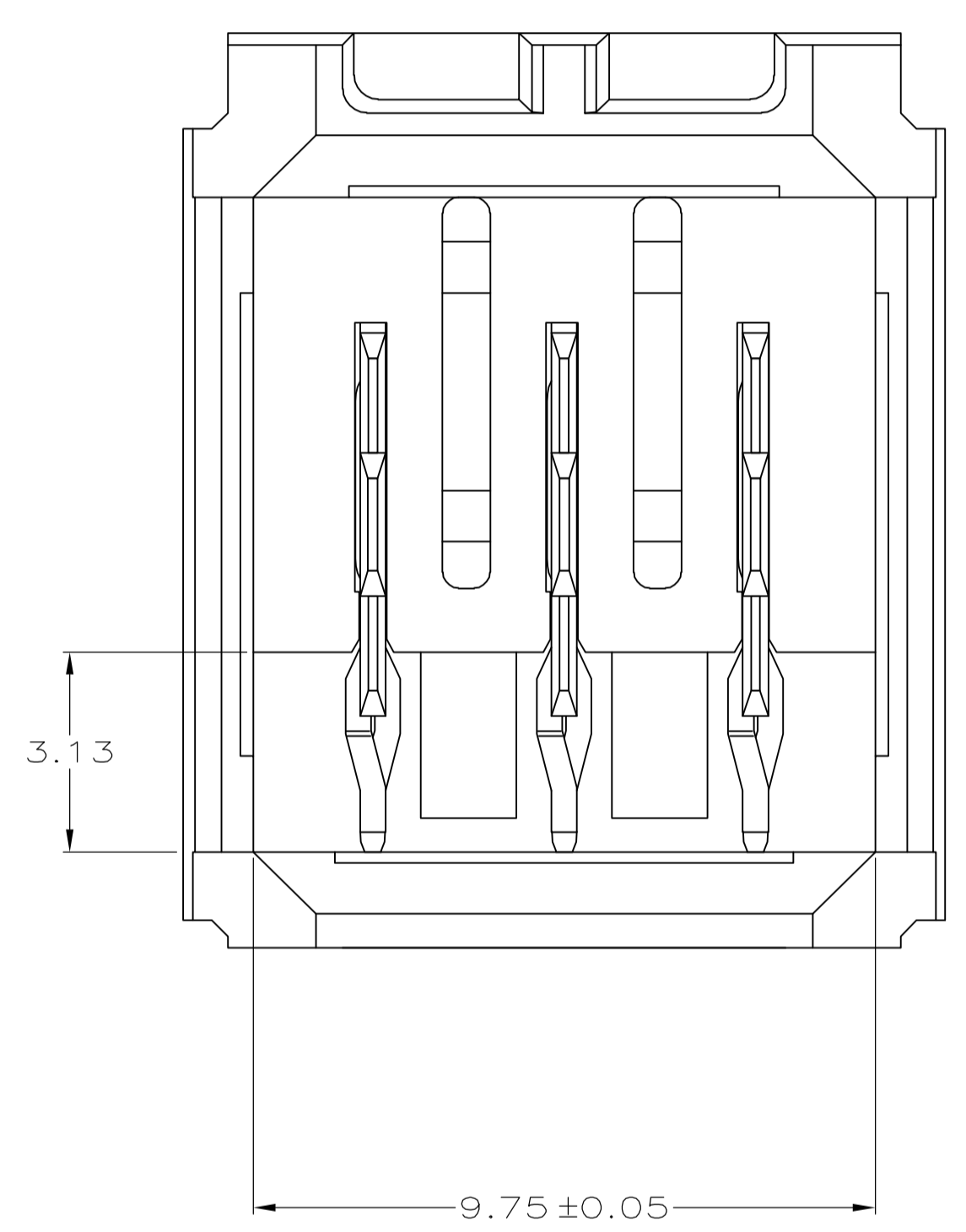


- 1 MATERIAL: HOUSING: POLYESTER. COLOR: GRAY. 94V-0 CONTACT: PHOSPHOR BRONZE.
- 2 FINISH: CONTACT MATING AREA: 1.27µm MIN GOLD OR 0.08µm MIN GOLD OVER 0.76µm MIN PALLADIUM-NICKEL ACTION PIN AREA: 0.5µm MIN TIN PLATE, ALL OVER 1.27µm MIN NICKEL UNDERPLATE.
- 3 FINISH: CONTACT LUBRICATION WITH BELLCORE APPROVED LUBRICANT, TECHNICAL REFERENCE: TR-NWT-001217, ISSUE 1, SEPTEMBER 1992.
- 4 MATERIAL: HOUSING: LCP; COLOR: RED. 94V-0 CONTACT: PHOSPHOR BRONZE.
- 5 NUMBER "3" MARKED IN THIS AREA.
- 6 MATERIAL: HOUSING: POLYESTER. COLOR: GRAY. 94V-0 CONTACT: HIGH CURRENT COPPER ALLOY.
- 7 REFERENCE APPLICATION SPEC 114-1103 FOR RECOMMENDED PLATED THRU HOLE DIAMETER AND PLATING THICKNESS.
- 8 CURRENT RATING 10A/CONTACT FOR PHOS BRONZE CONTACTS AND 16A/CONTACT FOR HIGH CURRENT COPPER ALLOY CONTACTS PER PRODUCT SPEC 108-1651.



SECTION W-W  
SCALE 40:1

2 3 6	5-5223961-1
1 2 3 5	5223961-8
1 2 3	5223961-1
MATERIAL/FINISH	PART NUMBER

THIS DRAWING IS A CONTROLLED DOCUMENT.		DIN B CARBO 100E004	Tyco Electronics Corporation	
DIMENSIONS: mm		CHK R PATTERSON 100E004	Harrisburg, Pa 17105-3608	
TOLERANCES UNLESS OTHERWISE SPECIFIED:		APVD R PATTERSON 100E004	NAME	
0 PLC	± -	PRODUCT SPEC		
1 PLC	± -	APPLICATION SPEC		
2 PLC	± 0.13	SIZE	CAGE CODE	DRAWING NO
3 PLC	± -	A1	00779	5223961
4 PLC	± -	WEIGHT	-	
ANGLES	± -	CUSTOMER DRAWING		
FINISH	SEE TABLE	SCALE 10:1 SHEET 1 OF 1 REV 01		

RECOMMENDED PCB HOLE LAYOUT